



**SPARE PARTS CATALOGUE
ERSATZTEILKATALOG
CATALOGUE PIECES DETACHEES
CATALOGO PARTI RICAMBIO
CATALOGO DE PIEZAS DE RECAMBIO
CATALOGO PECAS, DE REPOSICAO**

Catalogo parti di ricambio valido
dalla matricola 4345557 ad oggi (17/11/2021)

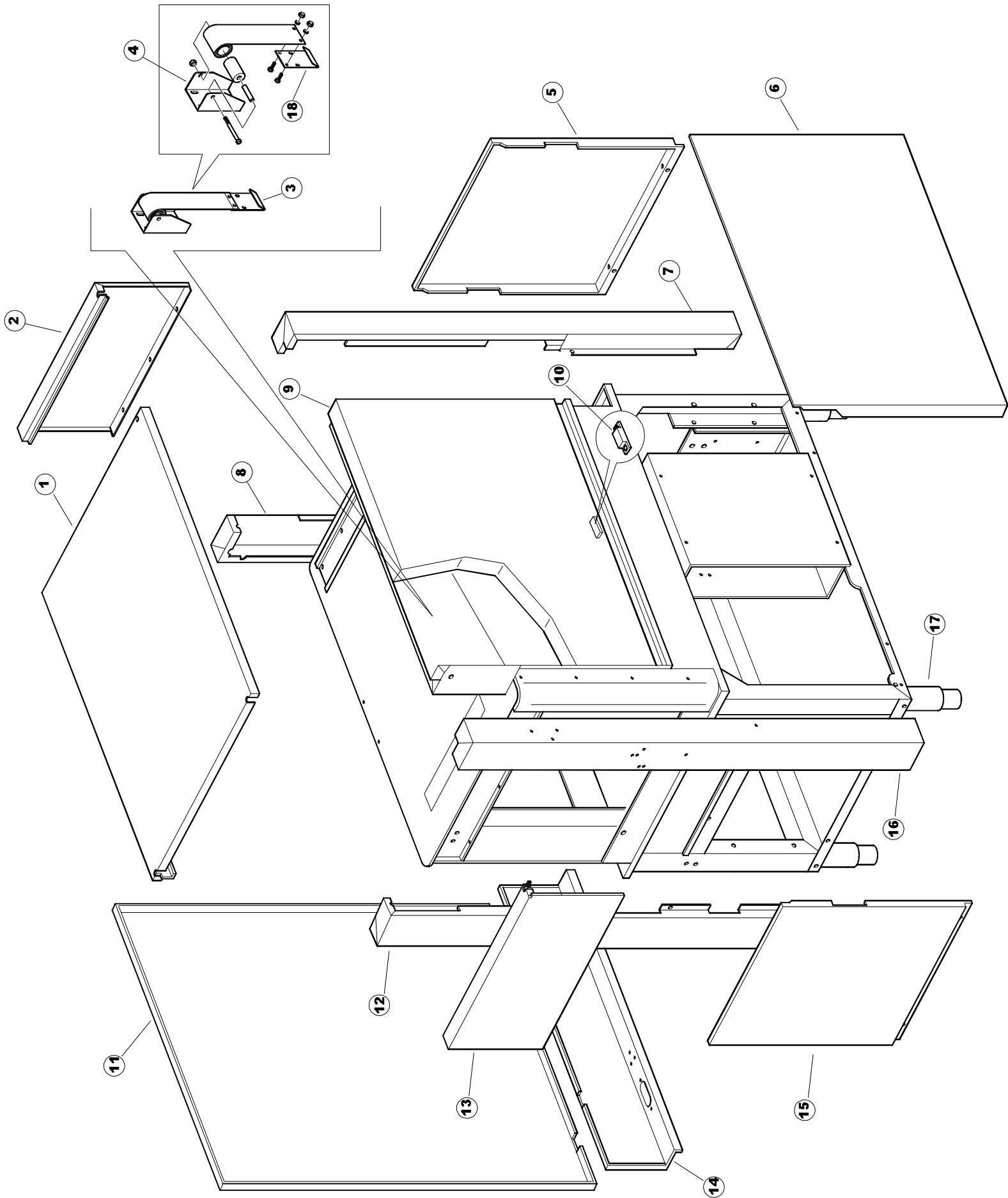
Catalogue pieces detachees
du numero de Série n. 4345557 jusqu'à aujourd'hui (17/11/2021)

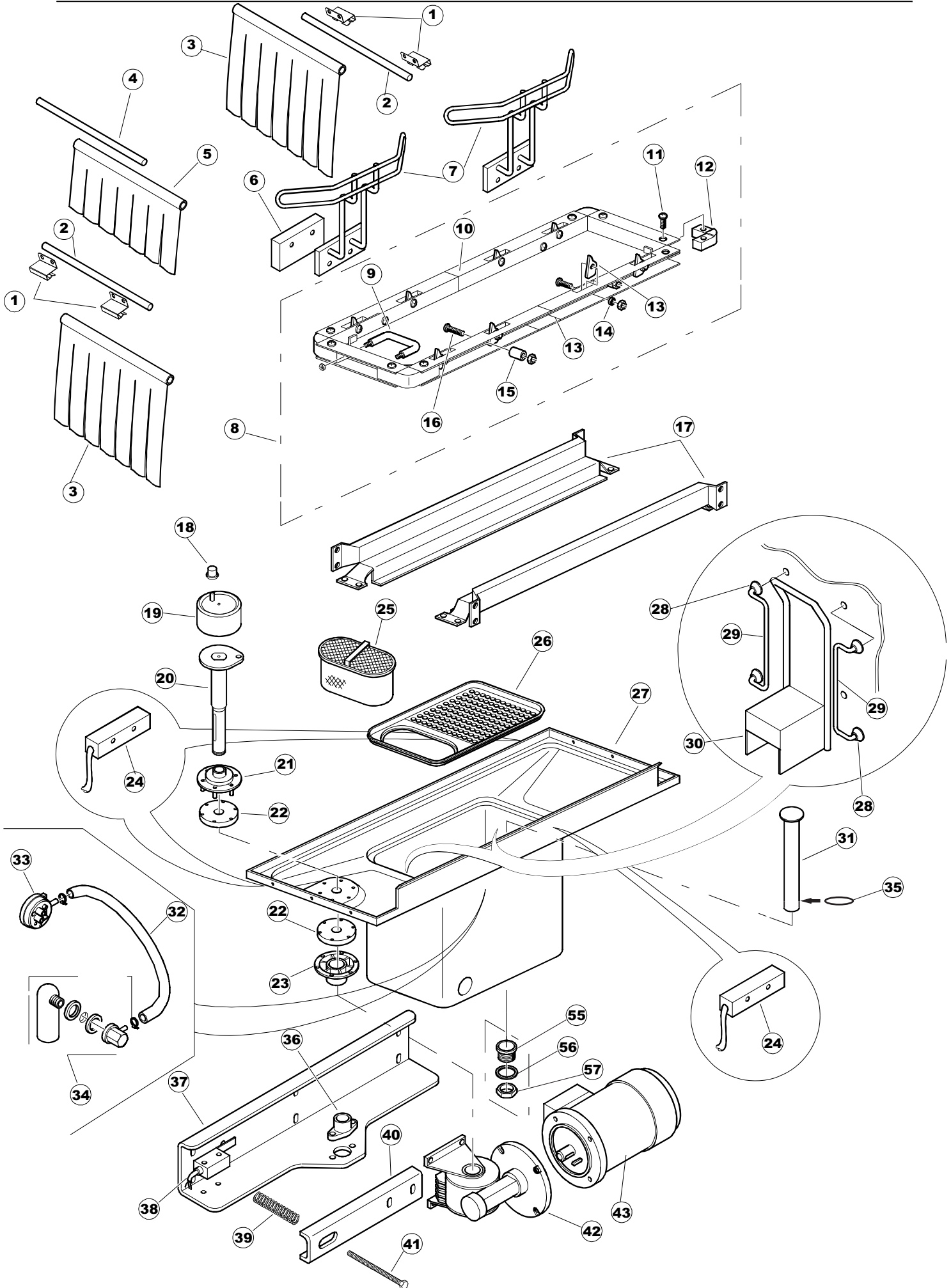
Ersatzteilkatalog
gültig ab Serien-Nr. 4345557 bis heute (17/11/2021)

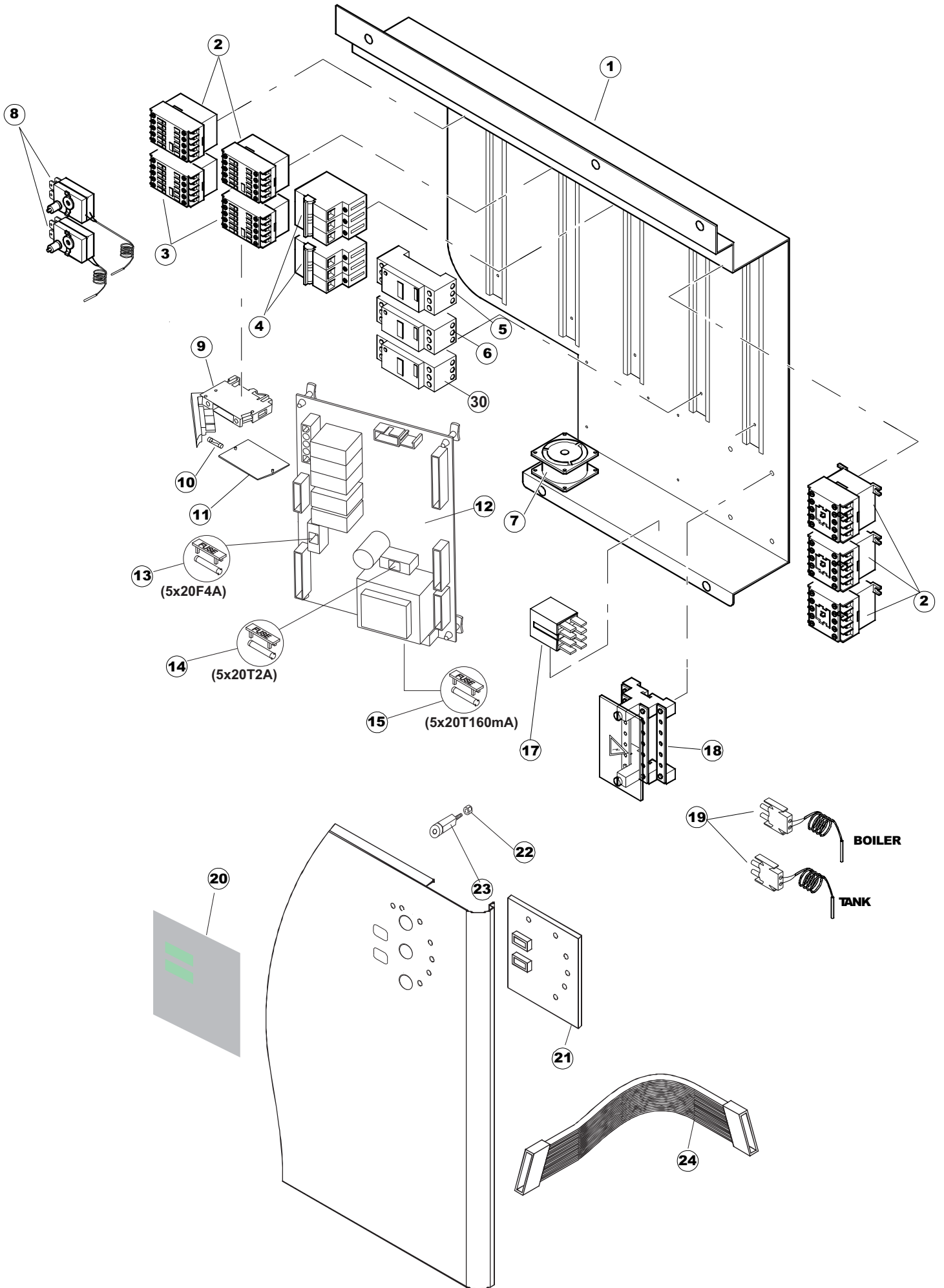
Spare parts catalogue
valid from serial no. 4345557 up today (17/11/2021)

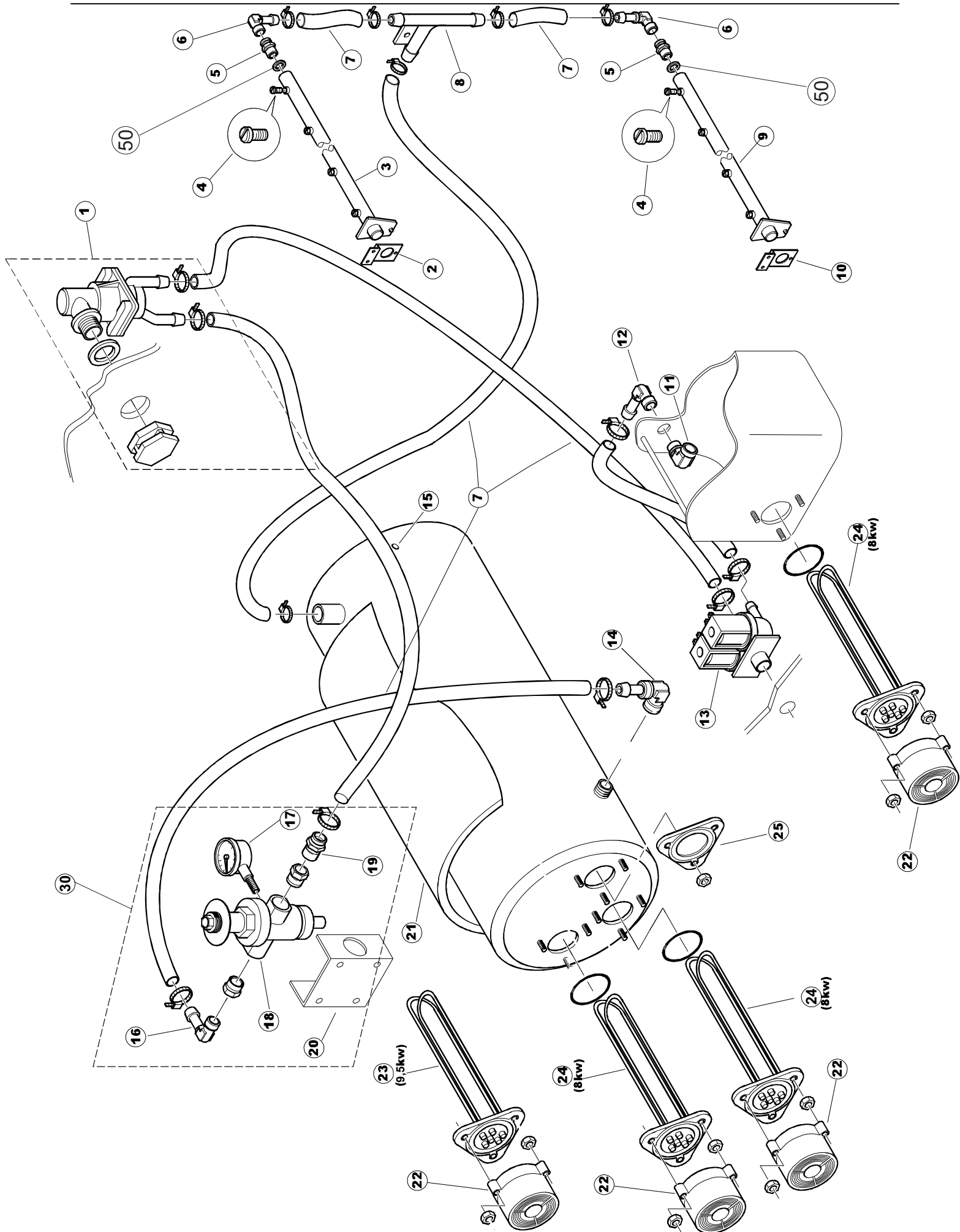
Catálogo de peças de reposição
válido do número de série 4345557 até hoje (17/11/2021)

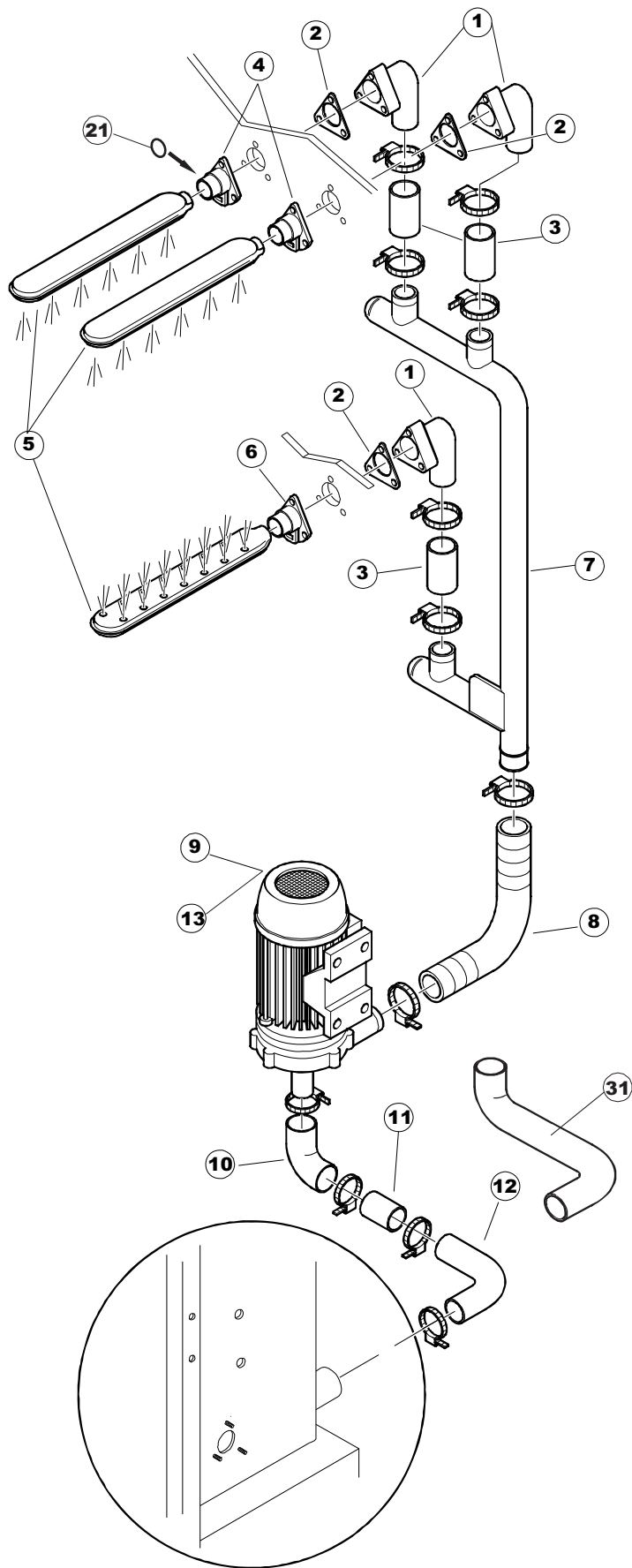
TT130

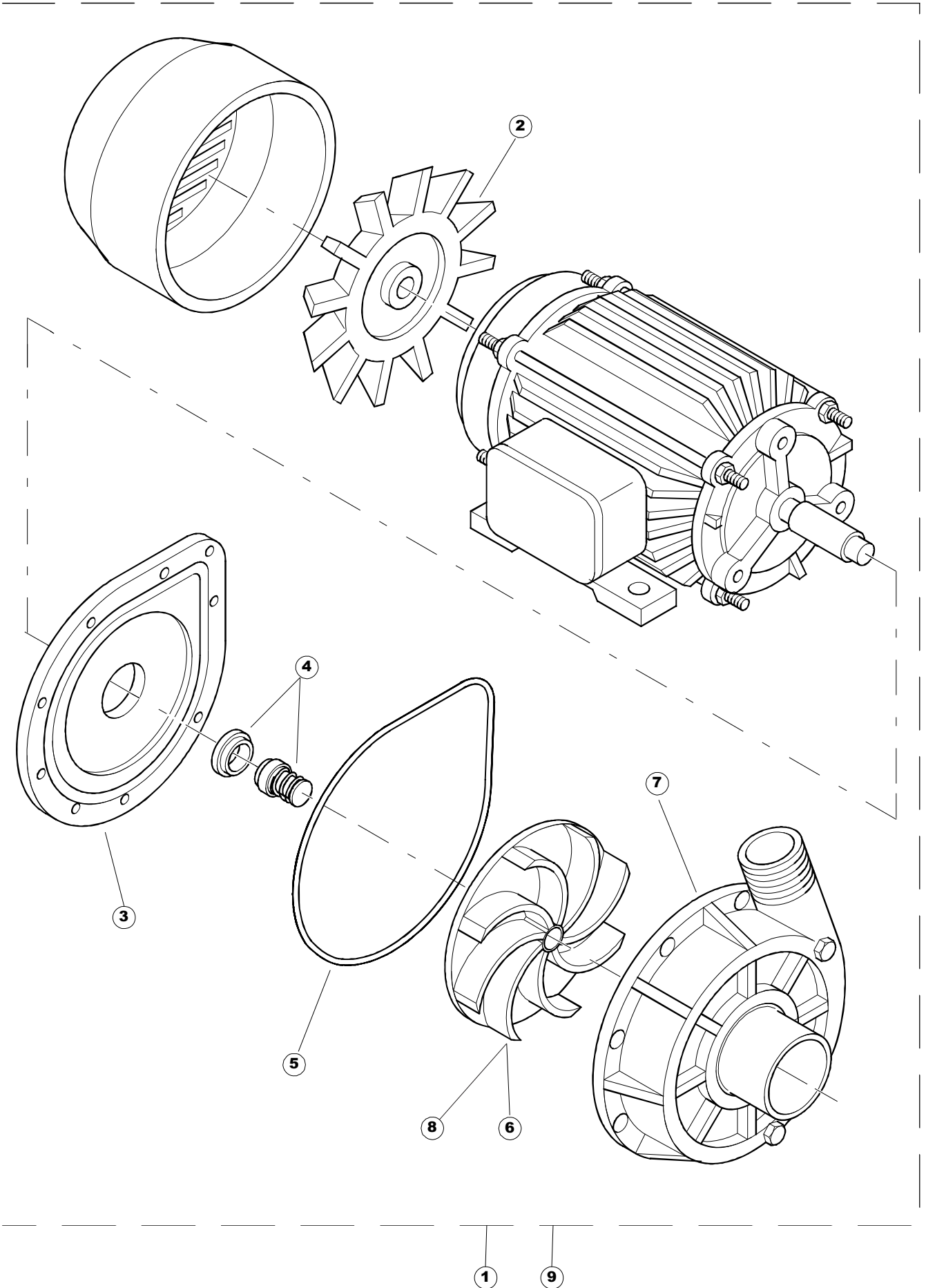












(*) Recommended spare part.

| Page | Spare part position | Spare part code no. | Old code number | Description | U.m. |
|------|---------------------|---------------------|-----------------|---|------|
| 1 | 1 | 75050 | | TOP PANEL | NR |
| 1 | 2 | 75035 | | FRONT PANEL | NR |
| 1 | 3 | 65654 | | DOOR SPRING KIT | NR |
| 1 | 4 | 75225 | | SCATOLA SUPPORTO MOLLE SPORT. PG FINITO | NR |
| 1 | 5 | 65054 | | SIDE PANEL | NR |
| 1 | 6 | 75052 | | FRONT PANEL | NR |
| 1 | 7 | 75039 | | CORNER FRONT RIGHT PANEL | NR |
| 1 | 8 | 75040 | | CORNER FRONT RIGHT PANEL | NR |
| 1 | 9 | 75082 | | RACK CONVEYOR DOOR | NR |
| 1 | 10 | 926014 | | MAGNET 8X16X40 AND HOUSING FOR DEM 201 | NR |
| 1 | 11 | 75244 | | PRICE TO BE DEFINED | |
| 1 | 12 | 75041 | | CORNER REAR LEFT PANEL | NR |
| 1 | 13 | 75035 | | FRONT PANEL | NR |
| 1 | 14 | 75043 | | PRICE TO BE DEFINED | |
| 1 | 15 | 65054 | | SIDE PANEL | NR |
| 1 | 16 | 75038 | | CORNER REAR LEFT PANEL | NR |
| 1 | 17 | 73100 | | FOOT | NR |
| 1 | 18 | 75226 | | DOOR SAFETY HOOK FOR RACK-CONVEYOR | NR |
| 2 | 1 | 75586 | | CURTAIN SUPPORTING BRACKET | NR |
| 2 | 2 | 75121 | | PART NUMBER NO LONGER AVAILABLE | |
| 2 | 3 | 75120 | | CURTAIN | NR |
| 2 | 4 | 75124 | | CURTAIN SUPPORT FOR RACK-CONVEYOR DISH- | NR |
| 2 | 5 | 75123 | | CURTAIN | NR |
| 2 | 6 | 927088 | | MAGNET FOR HOOD MICROSWITCH | NR |
| 2 | 7 | 75095 | | OPERATED RINSING LEVER | NR |
| 2 | 8 | 75869 | | RACK CONVEYOR | NR |
| 2 | 9 | 75073 | | RACK CONVEYOR HANDLE | NR |
| 2 | 10 | 75868 | | TOWING RACK | NR |
| 2 | 11 | 486169 | | STAINLESS STEEL SCREW 4MAX10 TBCR-SP | NR |
| 2 | 12 | 75075 | | SLED CART TOWING | NR |
| 2 | 13 | 75071 | | RACK CONVEYOR COG | NR |
| 2 | 14 | 75077 | | BUSH | NR |

(*) Recommended spare part.

| Page | Spare part position | Spare part code no. | Old code number | Description | U.m. |
|------|---------------------|---------------------|-----------------|---|------|
| 2 | 15 | 75076 | | BUFFER FOR DRIVE STOP | NR |
| 2 | 16 | 75310 | | SCREW | NR |
| 2 | 17 | 75024 | | COMPLETE RACK TRACK SLIDE | NR |
| 2 | 18 | 75058 | | WASHER | NR |
| 2 | 19 | K75649 | | KIT PROTECTIVE PLATE OF SPLASHING WATER | NR |
| 2 | 20 | 75235 | | GEAR SHAFT CONVEYOR (PART NR. REPLACED BY K75235) | |
| 2 | 20 | K75235 | | KIT GEAR SHAFT CONVEYOR | NR |
| 2 | 21 | K75141 | | UPPER FLANGE SHAFT CONVEYOR | NR |
| 2 | 22 | 75168 | | GASKET | NR |
| 2 | 23 | K75057 | | LOWER BUSH & SEAL | NR |
| 2 | 24 | 80871 | | MAGNETIC DOOR SWITCH | NR |
| 2 | 25 | 75429 | | COLLECTING FILTER WITH WEIGHT | NR |
| 2 | 26 | 75515 | | STAINER | NR |
| 2 | 28 | 472061 | | PART NUMBER NO LONGER AVAILABLE | |
| 2 | 29 | 42092 | | ASPIRATION FILTER SLIDE | NR |
| 2 | 30 | 75661 | | PUMP ASPIRATION FILTER | NR |
| 2 | 31 | 75864 | | OVERFLOW PIPE | NR |
| 2 | 32 | 143005 | | LINEN RUBBER PIPE 5X12 - BLACK | MT |
| 2 | 33 | 926049 | | PRESSURE SWITCH | NR |
| 2 | 34 | 984005 | | AIR TRAP, ASSY | NR |
| 2 | 35 | CGR4131NT | | O-RING | NR |
| 2 | 36 | 75142 | | BOTTOM FLANGE SHAFT CONVEYOR | NR |
| 2 | 37 | 75217 | | BRACKET | NR |
| 2 | 38 | 927246 | | MICROSWITCH | NR |
| 2 | 39 | CMT13 | | SPRING | NR |
| 2 | 40 | 75218 | | SUPPORT BRACKET | NR |
| 2 | 41 | 60354 | | SCREW | NR |
| 2 | 42 | 927102 | | GEARMOTOR MVF-49A 1/60 | NR |
| 2 | 43 | 927105 | | MOTOR 180W V 400 | NR |
| 2 | 55 | 75871 | | DRAIN CONNECTION | NR |
| 2 | 56 | 75873 | | GASKET | NR |
| 2 | 57 | 75872 | | NUT WASTE DRAIN | NR |

(*) Recommended spare part.

| Page | Spare part position | Spare part code no. | Old code number | Description | U.m. |
|------|---------------------|---------------------|-----------------|--|------|
| 3 | 1 | 75182 | | PANEL FOR ELECTRICAL COMPONENTS | NR |
| 3 | 2 | 73350 | | CONTACTOR | NR |
| 3 | 3 | 73351 | | CONTACTOR | NR |
| 3 | 4 | 927038 | | FUSE-HOLDER - TRIPOLAR GK1-DF | NR |
| 3 | 5 | DEI35N | | AUTOMATIC SWITCH | NR |
| 3 | 6 | DEI37N | | AUTOMATIC SWITCH | NR |
| 3 | 7 | 77044 | | PART NUMBER NO LONGER AVAILABLE | |
| 3 | 8 | 927057 | | PRICE TO BE DEFINED | |
| 3 | 9 | H.228048 | | PRICE TO BE DEFINED | |
| 3 | 10 | 228004 | | FUSE (PART NR. REPLACED BY 228010) | |
| 3 | 10 | 228010 | | FUSE | NR |
| 3 | 11 | H.228047 | | PRICE TO BE DEFINED (PART NR. REPLACED BY 74935) | |
| 3 | 11 | 74935 | | FUSE-HOLDER | NR |
| 3 | 12 | 215032-1 | | MAIN BOARD | NR |
| 3 | 13 | 228004 | | FUSE (PART NR. REPLACED BY 228010) | |
| 3 | 13 | 228010 | | FUSE | NR |
| 3 | 14 | 228011 | | FUSE | NR |
| 3 | 15 | 228012 | | FUSE | NR |
| 3 | 17 | 929115 | | RELAY 16A 230V | NR |
| 3 | 18 | 75983 | | TERMINAL BLOCK | NR |
| 3 | 19 | 231016 | | TEMPERATURE PROBE | NR |
| 3 | 20 | 75842 | | PRICE TO BE DEFINED | |
| 3 | 21 | 80889 | | CONTROL KEYBOARD | NR |
| 3 | 22 | 417119 | | NUT | NR |
| 3 | 23 | 419036 | | INTERFACE BOARD DISTANCE KEEPERS | NR |
| 3 | 24 | 80934 | | FLAT CABLE | NR |
| 3 | 30 | DEI40N | | AUTOMATIC SWITCH | NR |
| 4 | 1 | 144010 | | NON RETURN VALVE (PART NR. REPLACED BY 144010NT) | |
| 4 | 1 | 144010NT | | NON-RETURN VALVE | NR |
| 4 | 2 | 75131 | | SUPPORT BRACKET | NR |
| 4 | 3 | 75115 | | RINSE ARM | NR |
| 4 | 4 | 75133 | | STAINLESS STEEL RINSE SPRAY NOZZLE | NR |

(*) Recommended spare part.

| Page | Spare part position | Spare part code no. | Old code number | Description | U.m. |
|------|---------------------|---------------------|-----------------|--|------|
| 4 | 5 | 75401 | | PIPE FITTING | NR |
| 4 | 6 | 77904 | | HOSE CONNECTOR | NR |
| 4 | 7 | 143010 | | RUBBER PIPE 12X19,5 | MT |
| 4 | 8 | H.882974-001 | | MAINFOLD | NR |
| 4 | 9 | 75125 | | LOWER RINSE ARM | NR |
| 4 | 10 | 75129 | | SUPPORT BRACKET | NR |
| 4 | 11 | 65876 | | UNION ELBOW 3/8" AISI316 | NR |
| 4 | 12 | 929163 | | BRASS RUBBER-PIPE HOLDER CONNECTION 3/8 | NR |
| 4 | 13 | 929172 | | SOLENOID VALVE | NR |
| 4 | 14 | 65018 | | PIPE FITTING | NR |
| 4 | 15 | K75625 | | BOILER AISI304 (17LT) | NR |
| 4 | 16 | 929163 | | BRASS RUBBER-PIPE HOLDER CONNECTION 3/8 | NR |
| 4 | 17 | 75998 | | MANOMETER | NR |
| 4 | 18 | 927150 | | PRESSURE REDUCER 1/2" | NR |
| 4 | 19 | 927015 | | BRASS CONNECTION 3/8- RUBBER PIPE HOLDER | NR |
| 4 | 20 | 75283 | | SUPPORT BRACKET | NR |
| 4 | 21 | 65245 | | COVER INSULATION | NR |
| 4 | 22 | 69870 | | BOILER HEATING ELEMENT PROTECTION | NR |
| 4 | 23 | 80398C | | READY-TO-ASSEMBLE KIT FOR HEATING | NR |
| 4 | 24 | 230020C | | KIT HEATING ELEMENTS REB230020 (8KW) | NR |
| 4 | 25 | 926053 | | CLOSED FLANGE CAP (170880543) | NR |
| 4 | 30 | 75977 | | KIT PRESSURE REDUCER | NR |
| 4 | 50 | 456018 | | O-RING | NR |
| 5 | 1 | 75155 | | PIPE FITTING | NR |
| 5 | 2 | 437050 | | GASKET | NR |
| 5 | 3 | 75154 | | DELIVERY WASH HOSE | NR |
| 5 | 4 | 75645 | | CONNECTING ARM | NR |
| 5 | 5 | 75616 | | COMPLETE WASH ARM | NR |
| 5 | 6 | 75648 | | CONNECTING ARM | NR |
| 5 | 7 | 75165 | | SLEEVE | NR |
| 5 | 8 | 80187 | | DELIVERY WASH HOSE | NR |
| 5 | 9 | 75175 | | WASHPUMP | NR |

(*) Recommended spare part.

| Page | Spare part position | Spare part code no. | Old code number | Description | U.m. |
|------|---------------------|---------------------|-----------------|--|------|
| 5 | 10 | 926056 | | PIPE ELBOW | NR |
| 5 | 11 | 42028 | | PRICE TO BE DEFINED (PART NR. REPLACED BY 929165T) | |
| 5 | 11 | 929165T | | PIPE INOX D60 L92 | NR |
| 5 | 12 | 929164 | | PIPE ELBOW | NR |
| 5 | 13 | 75175HZ | | WASHPUMP | NR |
| 5 | 21 | CGR4131NT | | O-RING | NR |
| 5 | 31 | 75189 | | DELIVERY WASH HOSE | NR |
| 6 | 1 | 75175 | | WASHPUMP | NR |
| 6 | 2 | 335003 | | WASHPUMP FUN | NR |
| 6 | 3 | 80880 | | FLANGE | NR |
| 6 | 4 | 141002 | | WASH PUMP SHAFT SEAL FOR GLASSWASHER | NR |
| 6 | 5 | 456023 | | O-RING | NR |
| 6 | 6 | 80881 | | ELECTROPUMP IMPELLER | NR |
| 6 | 7 | 80882 | | PART NUMBER NO LONGER AVAILABLE | |
| 6 | 8 | 80881HZ | | PRICE TO BE DEFINED | |
| 6 | 9 | 75175HZ | | WASHPUMP | NR |